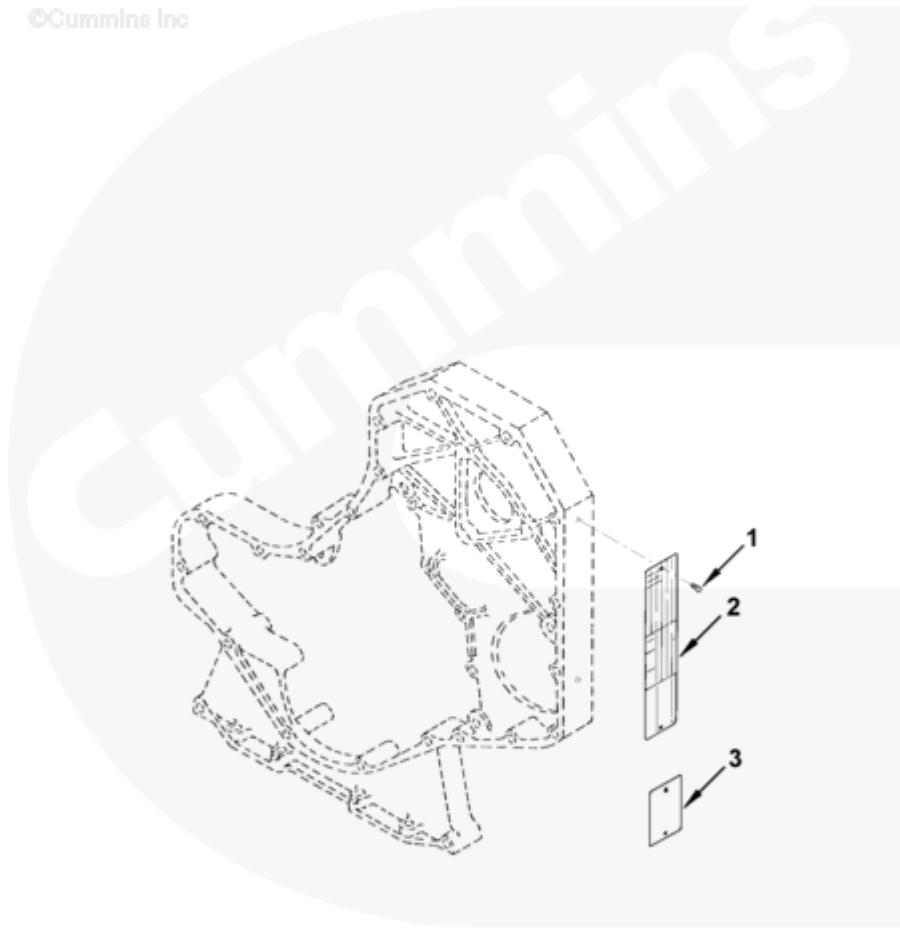




Parts Catalog - Option Detail

Electronic Parts Catalog - Option Detail				
Option	Group	Graphic	Film Card	Date
AP9130-03	01.06.1	ap950gh	T	17-MAY-04
Engines	4B3.9, 6A3.4, 6B5.9, B GAS INTERNATIONAL CM556, B4.5, B4.5 CM2350 B129B, B4.5 CM2350 B146C, B4.5 CM2350 B147B, B4.5 RGT, B4.5S, B5.9 G, B5.9 GAS PLUS CM556, B5.9 LPG, B5.9 LPG PLUS CM556, B6.7 CM2350 B121B, B6.7 CM2350 B135B, B6.7 CM2350 B136C, B6.7 CM2350 B148B, B6.7 G CMOH6.0 B125, B6.7N CM2380 B150B, B6.7S, F3.8 CM2350 F120B, F3.8 CM2350 F128C, F3.8 CM2350 F132B, F3.8 F102, G3.9, G5.9, G5.9 CM558, ISB (CHRYSLER), ISB CM2150, ISB CM2150 E, ISB CM550, ISB CM850, ISB/ISD4.5 CM2150 B119, ISB/ISD4.5 CM2150 SN, ISB/ISD6.7 CM2150 B120, ISB/ISD6.7 CM2150 SN, ISB/ISD6.7 CM2880 B126, ISB3.9 CM2220 B107, ISB4.5 CM2150, ISB5.9G CM2180, ISB6.7 2010 DCX PICKUP, ISB6.7 2013 DCX CHASSIS CAB, ISB6.7 CM2150 SQ, ISB6.7 CM2250, ISB6.7 CM2350 B101, ISB6.7 CM2350 B103, ISB6.7 CM2350 B142, ISB6.7 CM2670 B153B, ISB6.7 G CM2180 B118, ISBE CM2150, ISBE CM800, ISBE2/ISBE3 CM850, ISBE4 CM850, ISD4.5 CM2150, ISD6.7 CM2880 D101, ISF2.8 CM2220, ISF2.8 CM2220 AN, ISF2.8 CM2220 EC, ISF2.8 CM2220 ECF2, ISF2.8 CM2220 F101, ISF2.8 CM2220 F117, ISF2.8 CM2220 F122, ISF2.8 CM2220 F126, ISF2.8 CM2220 F129, ISF2.8 CM2220 IAN, ISF3.8 CM2220, ISF3.8 CM2220 AN, ISF3.8 CM2220 F103, ISF3.8 CM2220 F110, ISF3.8 CM2220 F116, ISF3.8 CM2220 F134B, ISF3.8 CM2220 IAN, ISF3.8 CM2350 F109, ISF4.5 CM2220 F123, ISG11 CM2880 G106, ISG11 CM2880 G108, ISG12 CM2880 G107, ISG12 CM2880 G109, ISG12 G CMOH6.0 G111, QSB3.9 30 CM550, QSB3.9 CM2880 B138, QSB4.5 30 CM550, QSB4.5 CM2150 B108, QSB4.5 CM2250 B131, QSB4.5 CM2250 EC, QSB4.5 CM2350 B106, QSB4.5 CM2350 B122			



ap950gh

[SMALL](#) | [MEDIUM](#) | [LARGE](#)

Cart	Ref No	Part Number	Part Description	Required	Remarks
View My Cart					
		AP9130-03	Agency Approval		Agency Approval...(More)
					Application: Marine
					Commercial
					Engine Family:
					"B" Series
					"C" Series
					Certification Status:
					Certified
					Certification Year: 2000

					Engines Built For: Cummins
					Fuel Type: Diesel
					Certification Agency: EPA,
					LR
					Certification Level: Nox
					Requirements of the
					International Maritime
					Organization (IMO) Marpol
					73/78 Annex VI Regulation 13.
					Smoke Test: None
					Engine Dataplate Location:
					"B" Series: Front Gear Cover
					Housing Fuel Pump Side
					Oriented Vertically
					Top Edge Approximately 312 mm
					From Crankshaft CL
					"C" Series: Front Gear Cover
					Housing Fuel Pump Side
					Horizontal to Vertical
					Orientation
					Top Edge Starts Approximately
					444 mm From Crankshaft
					CL and Wraps Around
					the Edge of Gear Housing IMO
					Decal Location:
					"B" Series:
					Front Gear Cover Housing Fuel
					Pump Side Oriented on
					Diagonal Mounting Pad

					Top Edge Approximately 381 mm
					Above Crankshaft CL
					"C" Series: Front Gear Cover
					Housing Fuel Pump Side
					Oriented Vertically
					Top Edge Approximately 190 mm
					Above Crankshaft CL
<input type="checkbox"/>	1	3908612	Drive Screw	2	
<input type="checkbox"/>	2	3931342	Dataplate	1	
	3	4019906	Decal	1	

© 2019 Cummins Inc., Box 3005, Columbus, IN 47202-3005 U.S.A.
Terms of Use and Disclaimers | Recommended System Requirements
Need Assistance? Please click on the Contact Us button in the top right corner of any page.